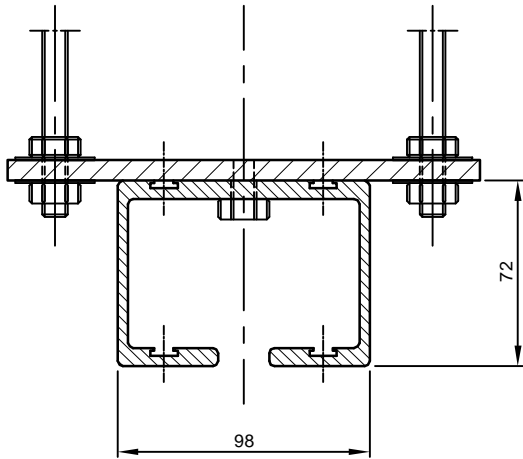
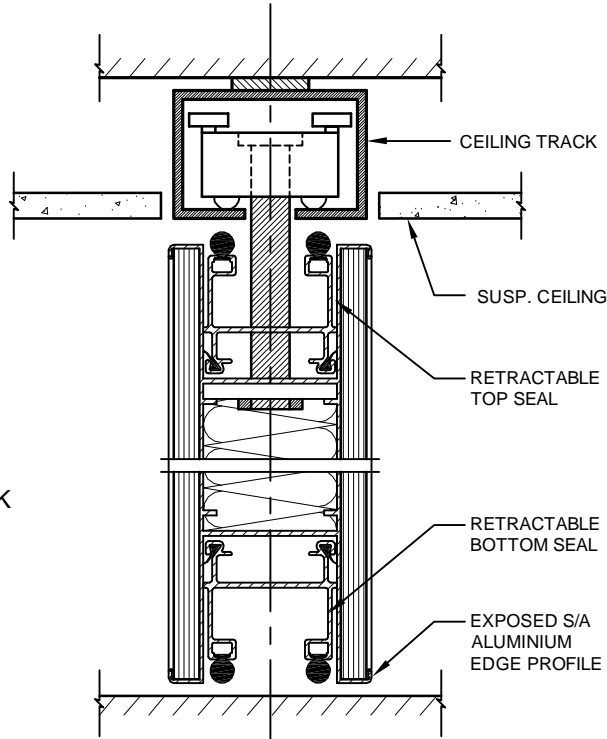


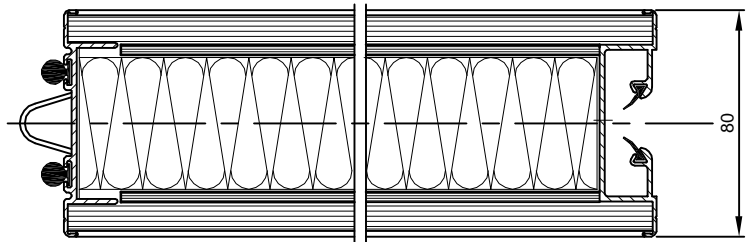
DETAILS OF PANEL - TYPE 80ME



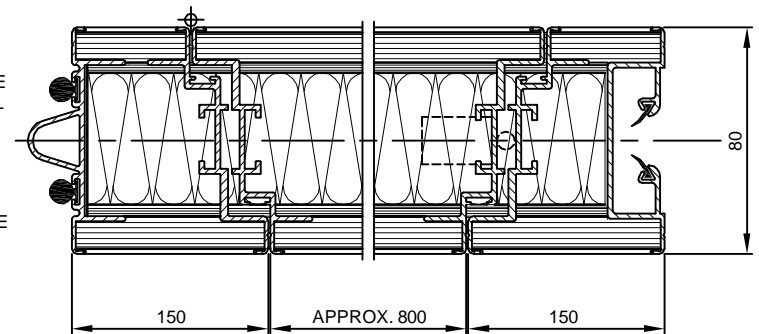
1. VERTICAL SECTION THROUGH CEILING TRACK



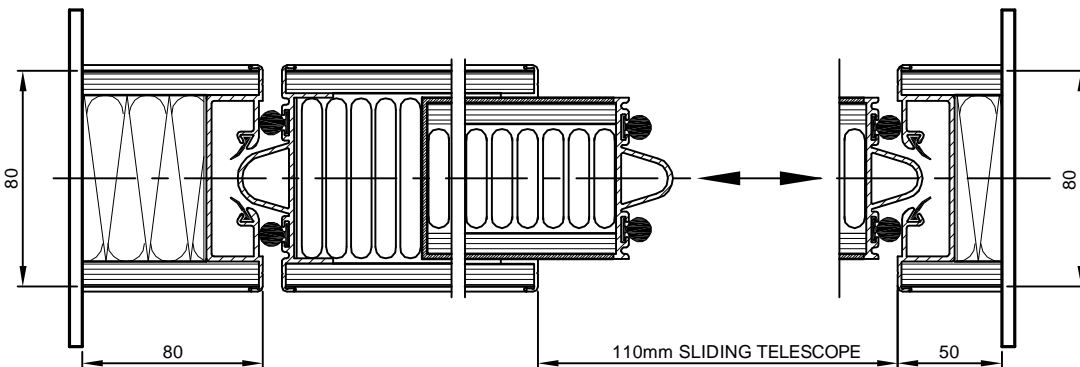
2. VERTICAL SECTION THROUGH STANDARD PANEL



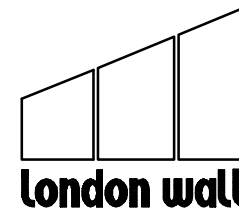
3. HORIZONTAL SECTION THROUGH STANDARD PANEL



4. HORIZONTAL SECTION THROUGH INSET PASS DOOR PANEL



5. HORIZONTAL SECTION THROUGH TELESCOPIC PANEL AND WALL JAMBS



London Wall Design Ltd

63 Barwell Business Park
 Leatherhead Road
 Chessington, Surrey KT9 2NY
 Tel : +44 (0) 20 8391 8750
 Fax : + 44 (0) 20 8391 8751
 E-Mail : Sales@londonwall.co.uk

DRG. NO.: SL - 801